

SIGM-U1350

Intel® Skylake/Kabylake-U CPU, MLU-220T-MXM, 1*DP, 1*VGA, 1*Smart Display, 5*USB, 2*LAN, 1*SATA, 1*COM, 4*Mini PCIe, DC 110V **JHCTECH**

IoT Computer
Connecting the Dots

Fanless In-Vehicle Computer-SIGM



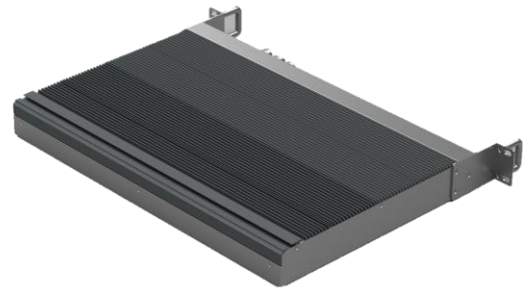
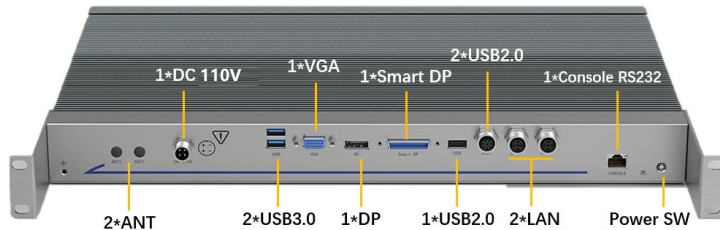
Key Features

- Intel® Skylake/Kabylake-U CPU
- 2-Ch DDR4, On-board 4GB+SODIMM, up to 16GB
- 1*DP, 1*VGA, 1*Smart Display, 3 display
- 2*LAN(M12) , 5*USB(2*M12), with internal dongle
- 1*CONSOLE RS232(RJ45)
- 1*SATA3.0 , 1*mSATA (Opt.)
- 4*Mini PCIe(1*Optional mSATA), support GPS/WiFi/LTE/4G
- MLU220T-MXM AI accelerate, 16TOPS (INT8)
- EN50155, E-Mark certification, support TPM2.0
- Railway power DC 110V

Overview

SIGM-U1350 is a standard 1U rack mount fanless In-Vehicle & rugged computer, Powered by Intel® Skylake/Kabylake-U CPU, with MLU220T-MXM, support dual 4G LTE/Wifi/BT/GPS and other wireless functions, DC 110V, E-mark vehicle certification, EN50155 certification, suitable for ITS, road vehicle, Railway vehicle applications.

Interface

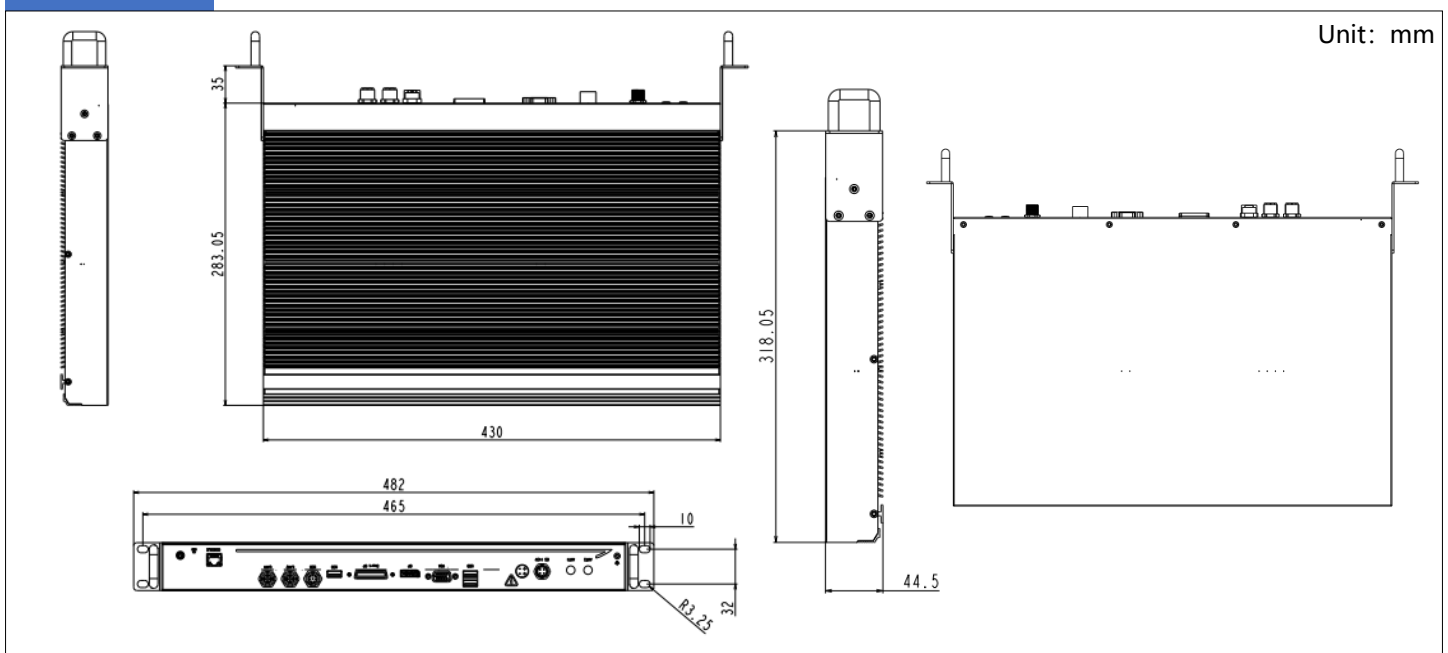


SPEC.

CPU	Intel® Skylake/Kabylake-U Corei3/i5/i7 series CPU
System memory	2-ch DDR4, support 2133MHz, on board 4GB+1*SODIMM, up to 12GB
Graphics	Intel® Gen. 9 HD Graphics, support 3 display DP max. res. 4096*2160@60Hz Smart Display max. res. 1920*1200@60Hz VGA max. res. 1920*1200@60Hz
LAN	2*Intel® I210AT PCIe Gig. Ethernet, 10/100/1000Mbps, M12 X-Coded connector
Storage	1*SSD/HDD SATA bay; 1*mSATA (SATA+USB);
I/O ports	2*Gig-LAN (M12 X-Coded) 2*USB3.0 Type A, 2*USB2.0 (M12 A-Coded), 1*USB2.0 Type A 1*Console RS232 (RJ45) 1*VGA + 1*DP + Smart Display
Expansion	2*Mini PCIe with PCIe X1+USBsignal, 2*SIM slot, support 2*4G/LTE/Wifi/BT/GPS 1*Mini PCIe with SATA+USB signal, support mSATA 1*Mini PCIe with PCIe + USB signal
AI chip	MLU220T-MXM AI accelerate, 16TOPS (INT8)
LED	1*Power LED, 1*HDD LED, 3*CPU Temp. LED (Red is warning, yellow is High, Green is normal)
Control SW	1*Power button, 1*Remote SW signal, 1*AT/ATX SW, 1*Clear CMOS SW
Security	Infineon TPM2.0
Power Supply	DC 110V input, 4-pin connector(M12), TDP: TBD)
Watchdog Timer	Watchdog timeout programmable via software1 to 255 second
OS Support	Linux Fedora, Ubuntu

Structure	Aluminum chassis, Silver stainless steel wire drawing frame
Color	Silver + Grey
Mounting	Rack installation
Dimension	(W*H*D): 430*283.05*44.5mm
Net weight	TBD
Operating temperature	EN50155 TX: -40 ~ 60°C
Storage Temperature	-40°C~85°C
Storage Humidity	10~90%@40°C, Non-condensing
Vibration	MIL-STD-810G, EN50155
Shock	MIL-STD-810G, EN50155
EMC/ Certification	EN50155 & E-Mark & CE & FCC Class B

Dimensions



Ordering Info.

Model No.	CPU	Introduction
SIGM-U1350/S001	Intel® I3-6100U/I3-7100U	1U Fan-less In-Vehicle Computer, 4GB+1*SODIMM DDR4, 1*MLU220T-MXM GPU, 2*LAN, 2*USB3.0, 5*USB2.0, 1*COM(RJ45), 3*Mini PCIe, 1*DP, 1*VGA, 1*Smart Display, 1*mSATA, 1*SATA3, DC 110V
SIGM-U1350/S002	Intel® I5-6200U/I5-7200U	
SIGM-U1350/S003	Intel® I7-6500U/I7-7500U	
SIGM-U1350/S004	Intel® 3855U/3865U	
M12A-4P DC Cable	DC power cable, M12 A-Code Female 4pin connector to bare wire, 4-core 18AWG outsourcing PVC, halogen-free low-smoke flame retardant, 100cm	
M12A-8P UAB Cable	USB cable, M12 A-Code Male 8pin connector to 2*Type A with double M3 nut ear holes, 8-core shielding and PVC outsourcing, halogen-free low-smoke flame-retardant, 50cm	
M12X-8P LAN Cable	LAN cable, M12 X-Code Male 8pin connector to RJ45, 8-core CAT6, halogen-free low-smoke flame retardant, 180cm	